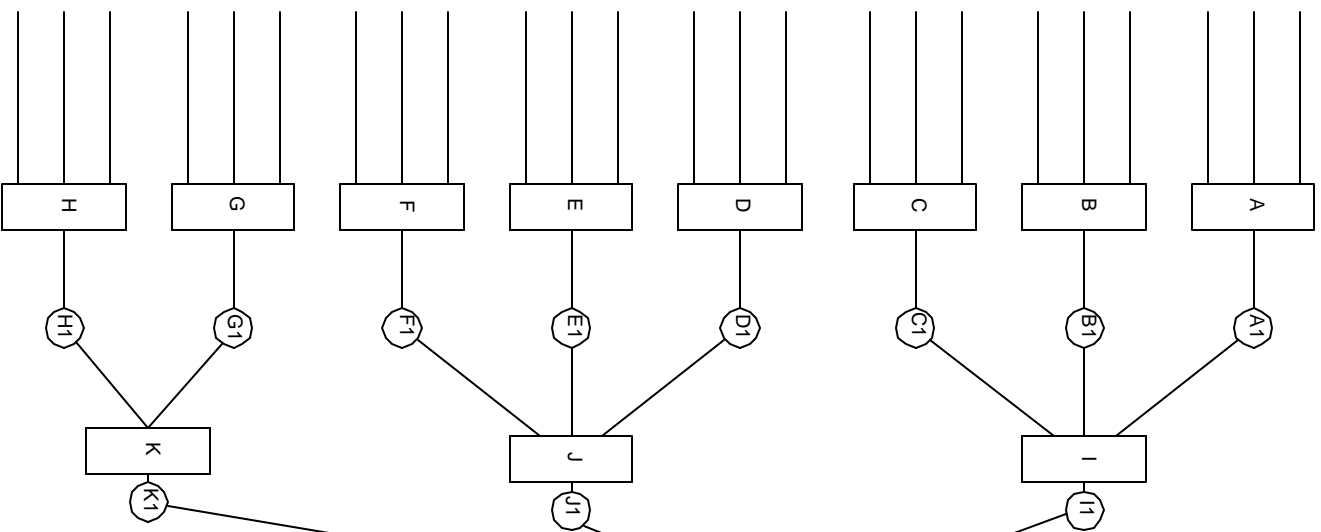
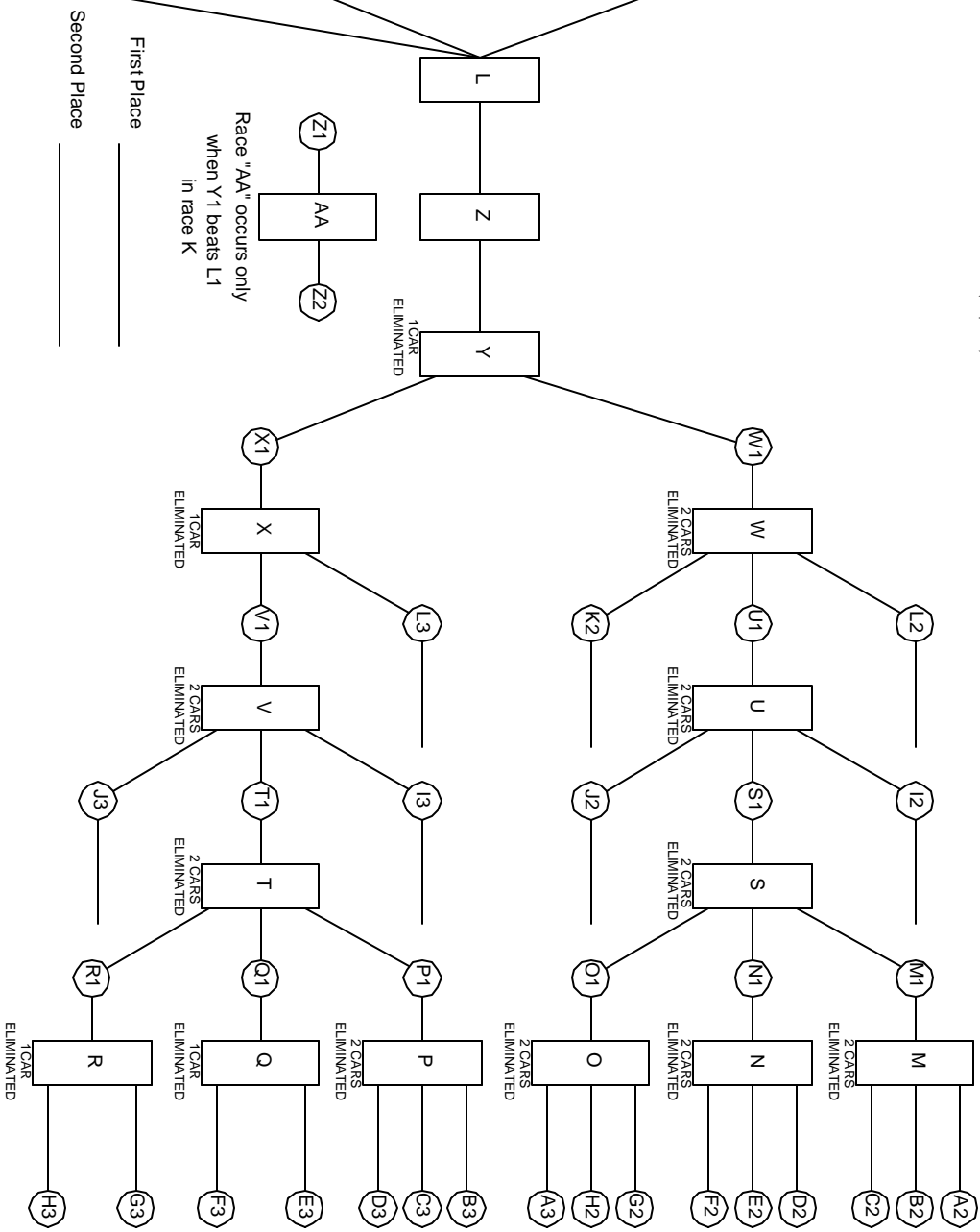


WINNER BRACKET

(Group Name)



LOSER BRACKET



Race "AA" occurs only when Y1 beats L1 in race K

First Place _____
Second Place _____

This double-elimination 24 car chart is designed for three-lane tracks. Cars must lose twice to be eliminated. The race is complete in 26 or 27 heats. The 27th heat (race AA) is necessary when the loser bracket car beats the undefeated car. This chart does not compensate for differences in track lanes.