

1

2

3

4

5

6

7

8

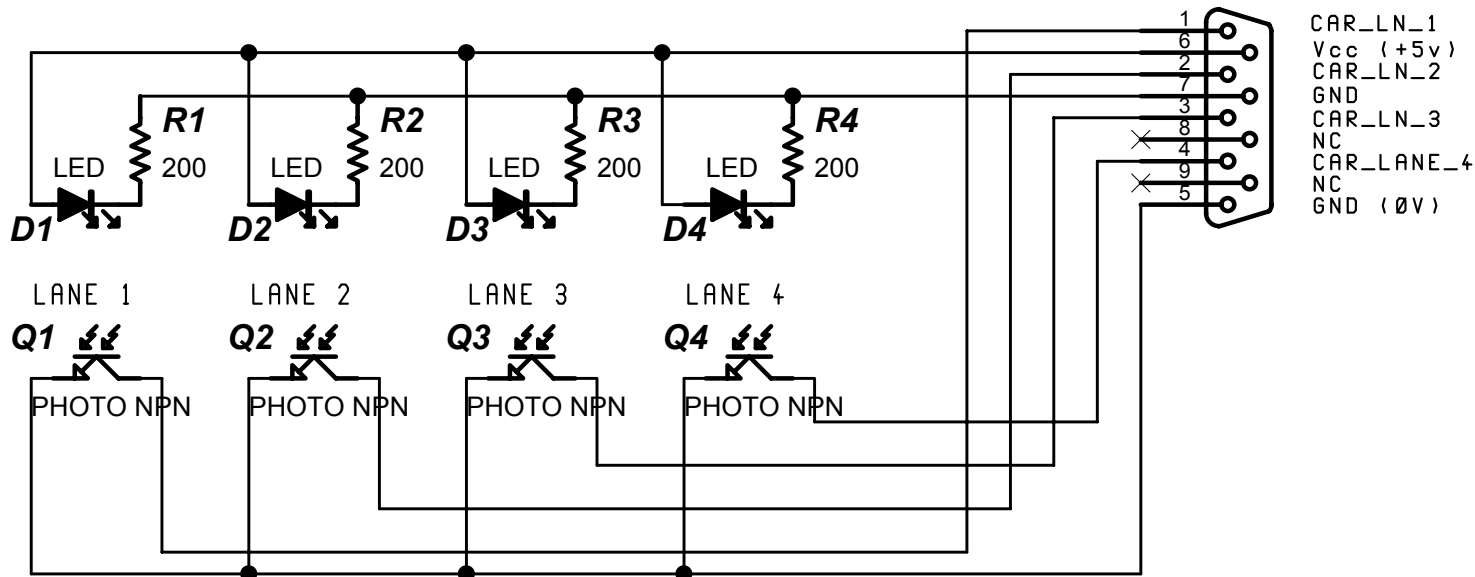
A

LEDs are 2000 Mcd narrow dispersion angle (RS 276-066B or similar)

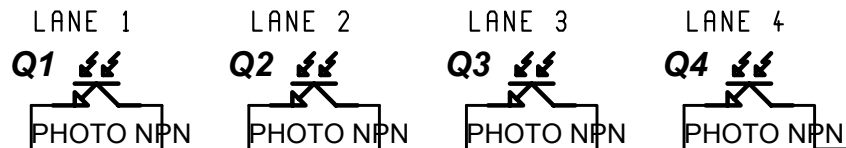
P1

DE-9P

B



C



D

E

Photodiodes/PhotoTransistors (RS 276-145A or similar)

Revised 1/17/05 (disgard former versions)

4-LANE CAR PHOTO DETECTION SCHEMATIC

F

G

H